

SOUND ABSORBING FAN

SAF-3, SAF-5, SAF-7, SAF-9

SAF is a combination of a Plymovent TEV fan in a sound absorbing case. The TEV is a central extraction fan that is equipped with a lightweight aluminium impeller, making it suited to exhaust gases, volatile fumes and dust. The fan is mounted in a sound absorbing case with inspection hatch.

Matched inlet and outlet areas, together with optimized impellers, ensure even airflow, high capacity and low noise level.

SAF is designed with materials that can withstand most weather types, making it highly suitable for both indoor and outdoor use.



APPLICATIONS

SAF is intended to be used for the following applications:

- MIG-MAG/GMAW welding
- TIG welding
- FCAW welding
- stick/MMAW welding
- exhaust extraction
- stainless steel welding
- grinding
- polishing
- finishing



SPECIFICATIONS

Physical dimensions and properties

Material:	<ul style="list-style-type: none"> • fan • housing 	<ul style="list-style-type: none"> • powder coated galvanized sheet metal • powder coated galvanized sheet metal
Colour	<ul style="list-style-type: none"> • housing • fan • motor 	<ul style="list-style-type: none"> • grey (RAL 7011) • grey (RAL 7011) • black (RAL 9005)

Performance

Speed	2800 rpm
Noise level	refer to sound level chart
Noise reduction of sound absorbing case ¹	approx. 10 dB(A)

Electrical data

Efficiency level	IE3
Insulation class	F with PTC
Protection class	<ul style="list-style-type: none"> • motor • housing
Max. start/stops per hour	30

Ambient conditions

Process temperature:	<ul style="list-style-type: none"> • min. • nom. • max. 	<ul style="list-style-type: none"> • 5°C (41°F) • 20°C (68°F) • 80°C (176°F)
Max. relative humidity	90%	
Suitable for outdoor use	yes	
Storage conditions	<ul style="list-style-type: none"> • 5-80°C (41-176°F) • relative humidity max. 80% 	

Product combinations

Vehicle exhaust extraction systems	all systems
Filter units	all systems
Fume extraction systems	all systems
Control equipment	all systems

Order information

Article no.	
Number/package	1

Logistics data

Gross weight (incl. pallet)	refer to table 2
Packing dimensions (incl. pallet)	refer to table 2
Max. number/pallet	1
Harmonized Tariff Code	8414.5940.90

See table 1: for dimensions

See table 2: for remaining specifications

See page 3: for sound levels

APPROVALS/CERTIFICATES

	Compliance with CE & UKCA directives
	Directive 2011/65/EC (RoHS) valid as of 8 June 2011
	Certified motor

¹ tested with duct silencer, see price list for model selection

DIMENSIONS

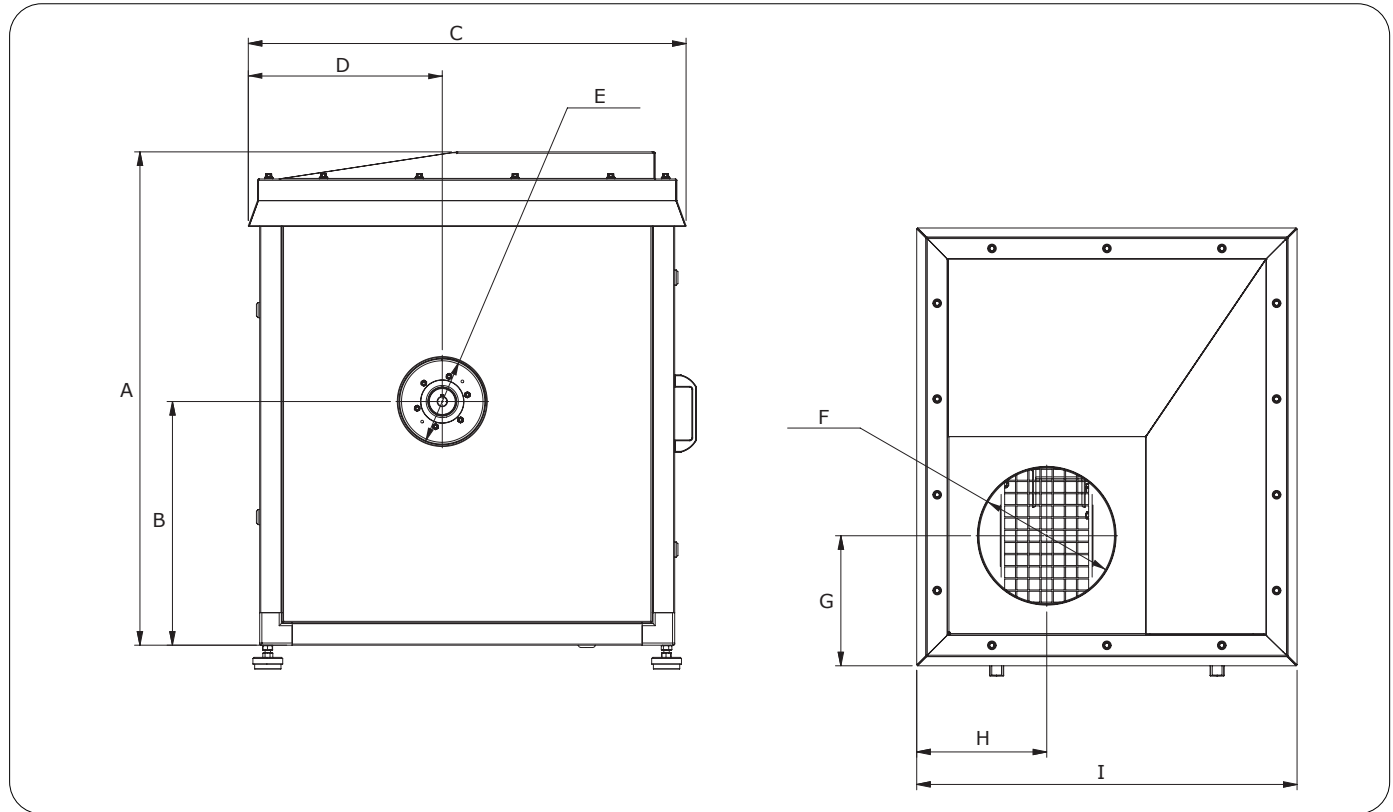


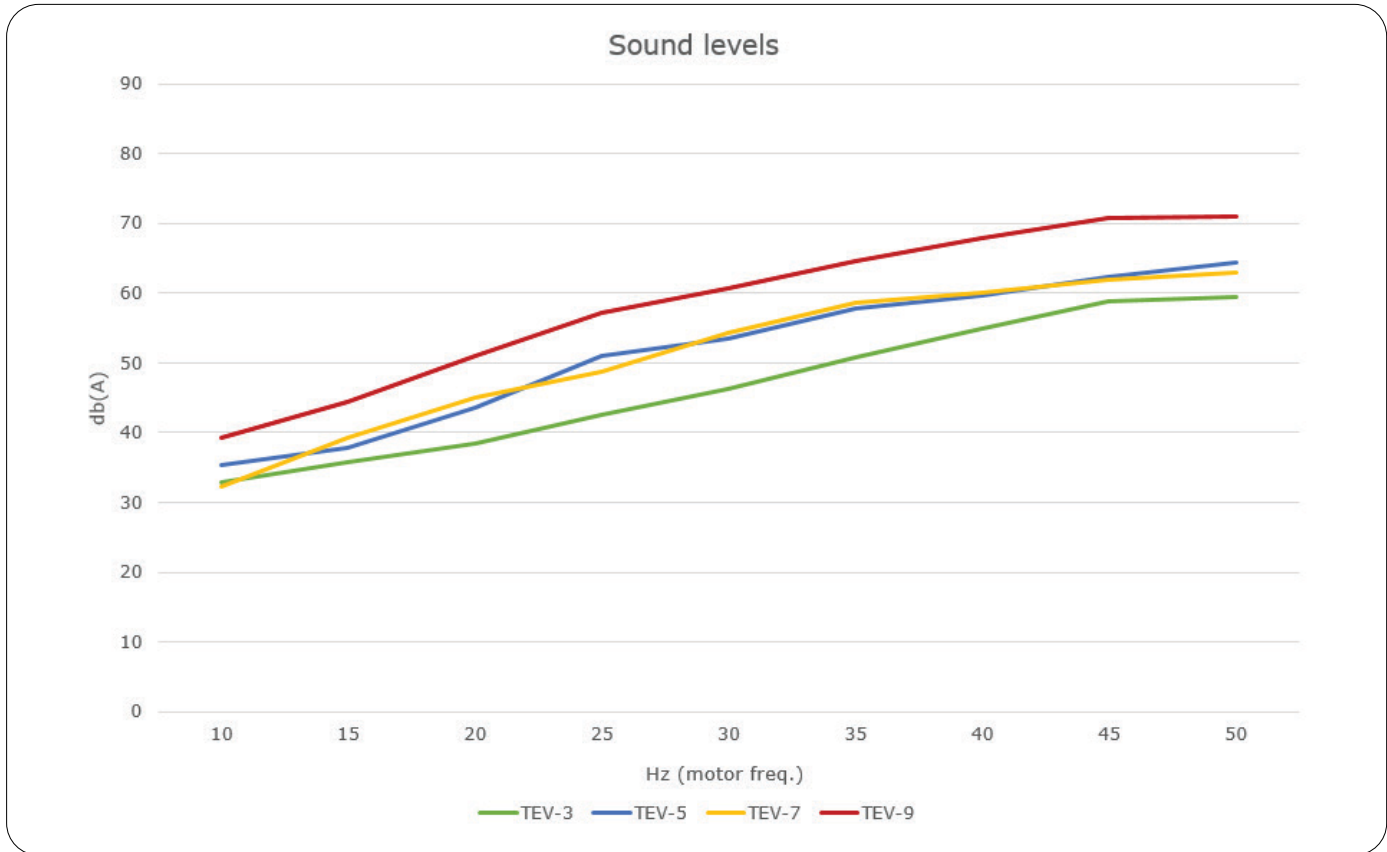
Table 1: Dimensions

	SAF-3		SAF-5		SAF-7		SAF-9	
	mm	inch	mm	inch	mm	inch	mm	inch
A	911	35.9	1092	43	1277	50.3	1389	54.7
B	450	17.7	539	23.3	698	27.5	716	28.2
C	808	31.8	988	38.9	1192	46.9	1338	52.7
D	358	14.1	401	15.8	493	19.4	538	21.2
E	Ø 160	Ø 6.3	Ø 200	Ø 8	Ø 250	Ø 10	Ø 315	Ø 12.4
F	Ø 250	Ø 10	Ø 315	Ø 12.4	Ø 400	Ø 16	Ø 500	Ø 20
G	240	9.5	312.5	12.3	362.5	14.3	417.5	16.4
H	240	9.5	312.5	12.3	362.5	14.3	417.5	16.4
I	702	27.6	854	33.6	961	37.8	1071	42.2

Table 2: Remaining specifications

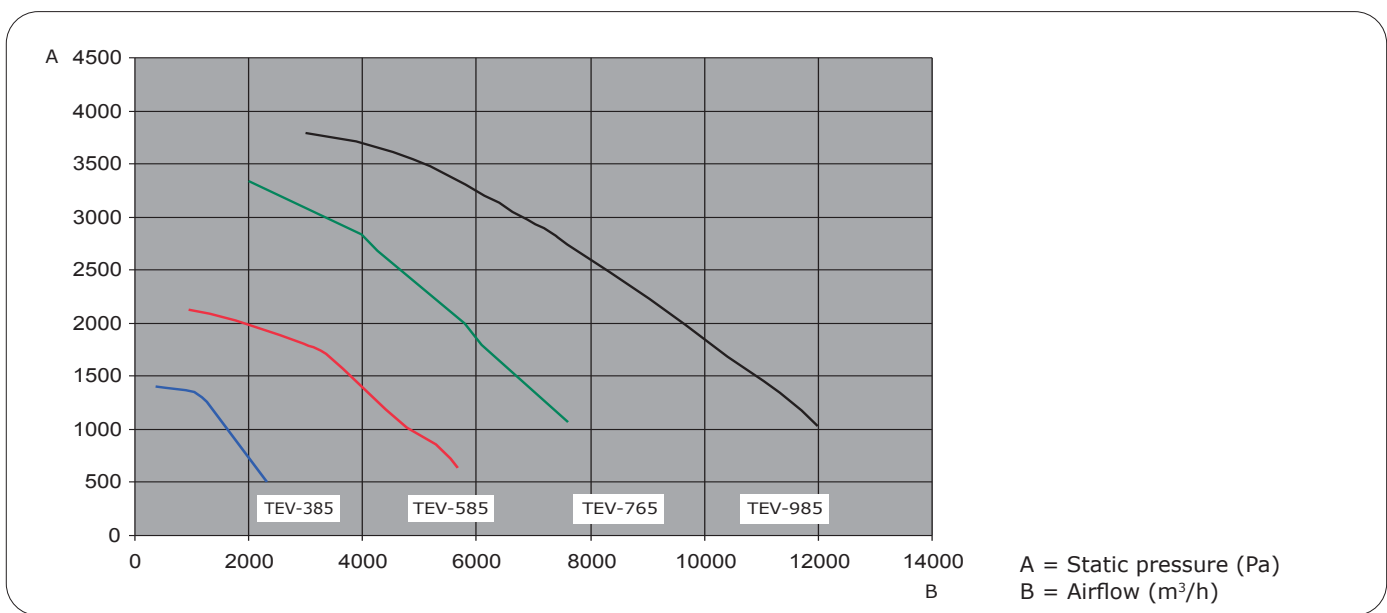
Features	SAF-3	SAF-5	SAF-7	SAF-9	
Article number	0000302729	0000302730	0000302731	0000302732	
◆ Weight					
Net weight	111 kg (245 lbs)	165 kg (364 lbs)	239 kg (527 lbs)	311 kg (686 lbs)	
◆ Electrical data					
Connection voltage	230-400V/3~/50Hz	230-400V/3~/50Hz	230-400V/3~/50Hz	400-690V/3~/50Hz	
Power	0,75 kW (1 HP)	2,2 kW (3 HP)	4 kW (5 HP)	7,5 kW (10 HP)	
Nominal current	<ul style="list-style-type: none"> • 230V • 400V • 690V 	<ul style="list-style-type: none"> • 3,02 A • 1,7 A • - 	<ul style="list-style-type: none"> • 7,98 A • 4,61 A • - 	<ul style="list-style-type: none"> • 13,32 A • 7,69 A • - 	<ul style="list-style-type: none"> • - • 14,1 A • 8,2 A
◆ Shipping data					
Gross weight	126 kg (278 lbs)	180 kg (397 lbs)	259 kg (571 lbs)	331 kg (730 lbs)	
Packing dimensions (W x L x H)	750 x 850 x 1140 mm (29.5 x 33.5 x 45 in.)	1000 x 1200 x 1340 mm (39.4 x 47.2 x 52.8 in.)	1300 x 1600 x 1600 mm (51.2 x 63 x 63 in.)	1300 x 1600 x 1670 mm (51.2 x 63 x 65.7 in.)	

SOUND LEVELS²



² Test data based on SAF + SAS silencers (see price list) Plymovent highly recommends the use of duct silencers with the sound absorbing fan

FAN CURVES



Application restrictions

Do **not** use the product for the following applications or in the following circumstances: polishing applications in combination with grinding, welding or any other application that generate sparks (fibres from polishing or abrasive flap disks are highly flammable and pose a high risk of filter fires when exposed to sparks) | aluminium laser cutting | oil mist | heavy oil mist in welding fume | arc-air gouging | extraction of aggressive fumes and gases (e.g. from acids, from alkaline, from soldering paste containing lithium) | extraction of hot gases (more than 70°C/158°F continuously) | grinding aluminum and magnesium | flame spraying | extraction of cement, saw dust, wood dust etc. | sucking cigarettes, cigars, oiled tissues and other burning particles, objects and acids | explosive environments or explosive substances/gases



Product type	Sound Absorbing Fan
Article no.	refer to table 2
Product category	fans
Version	24OCT2023/0

Always check the latest version on www.plymovent.com

